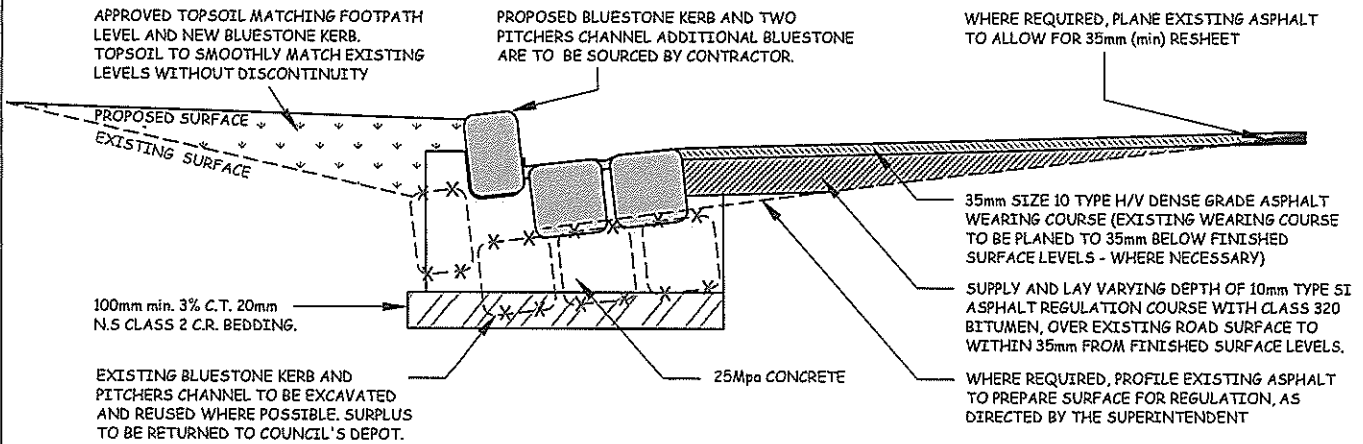
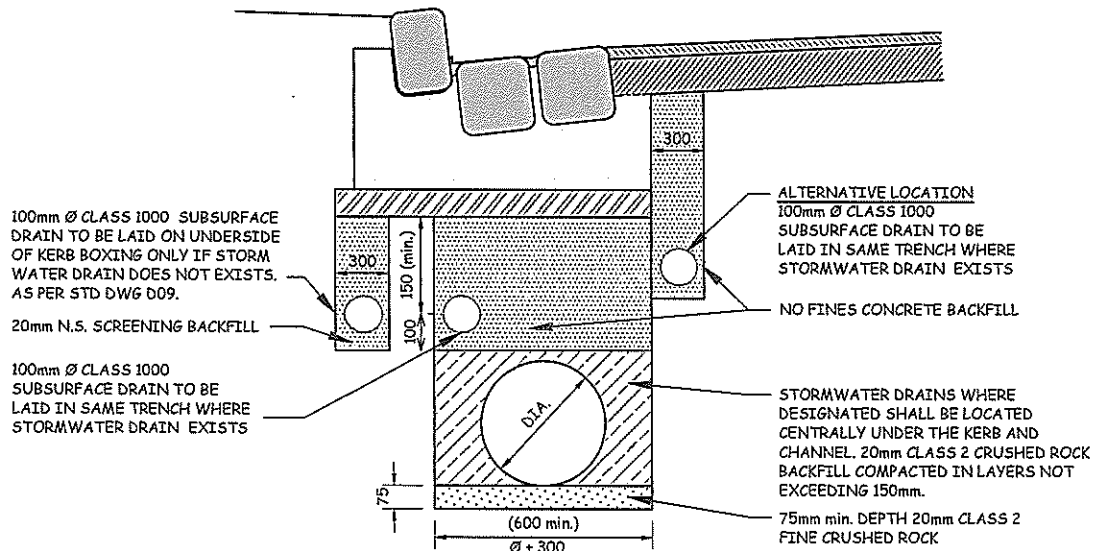


BLUESTONE KERB & CHANNEL DETAIL



BLUESTONE KERB & CHANNEL REPLACEMENT AND PAVEMENT OVERLAY DETAIL



**PIPE TRENCH DETAIL UNDER KERB
(AND DRIVEWAY AREAS)**

CITY OF MONASH



BLUESTONE KERB & CHANNEL
DETAILS & TREATMENTS

DIRECTOR INFRASTRUCTURE:

W. Du

DRAWN:
W.Du Feb 2011

SCALE: N.T.S.

SHEET:
B03

DWG NAME:
STDWG B03

21500

REV:A JUN15