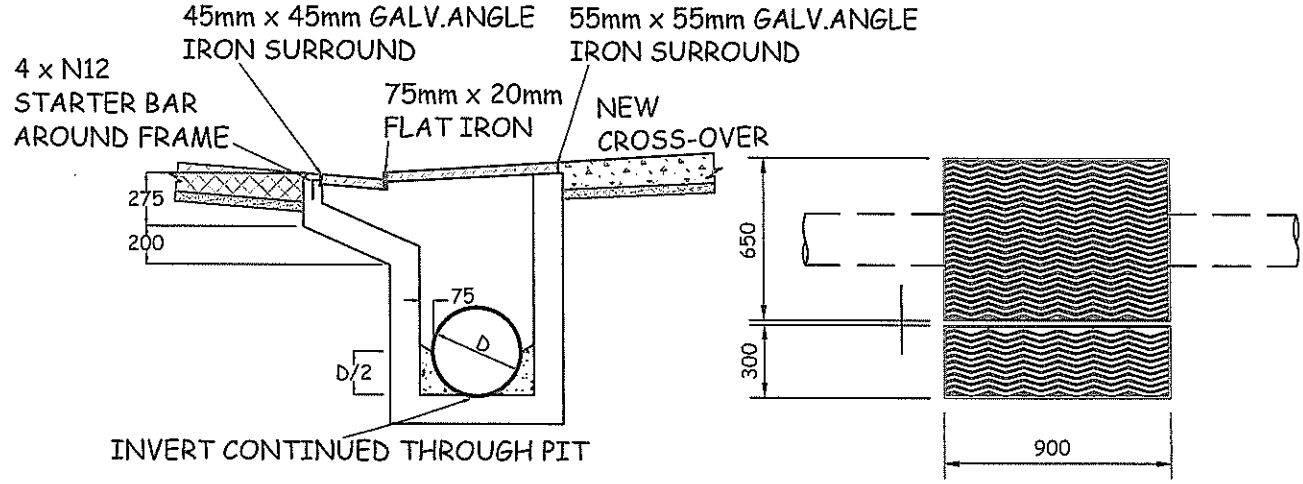


STANDARD TREATMENT

NOTES
 IF NO CROSS DRAIN PRESENT, EXISTING PIT TO BE REMOVED AND A NEW PIT TO BE CONSTRUCTED OVER EXISTING DRAIN.

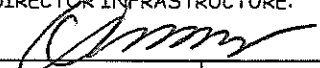


GRATED PIT TREATMENT

NOTES
 1. REFER TO D5 FOR CONSTRUCTION OF PIT.
 2. REFER TO D6 FOR GRATE DETAILS.

CITY OF MONASH 

STANDARD TREATMENT FOR DRAINAGE PITS WITHIN PROPOSED VEHICLE CROSSING

DIRECTOR INFRASTRUCTURE: 		
DRAWN: M.R. MAY 2015	SCALE: N.T.S.	SHEET: D13
DWG NAME: STDWG D13	21500	REV: C JUN15